

# 产品规格书

## Product Specification

產品名稱：QC4.10 连接器/1500V

Product Name: QC4.10 connector

客戶名稱：

Customer Name:

供應商：QC Solar

Vendor : QC Solar

承認簽章 (Confirmation)					
快可承認 (QC Solar confirmation)			客戶承認 (Customer confirmation)		
批准 Approved by	審核 Audited by	設計 Designed by	採購 Purchased by	品保 Quality Assured by	技術 Technical verified by

苏州快可光伏电子股份有限公司

**QC SOLAR (SUZHOU) CORPORATION**

中国苏州工业园区新发路 31 号

No.31,Xinfa road, SIP, Suzhou, China

TEL : 0512-62603391 FAX :0512-62603396

# 目录 Catalog

1.产品外观及设计性能参数要求 Product appearance and design performance parameters .....	3
2.连接器 BOM 清单 BOM of connector .....	4-5
3.连接器图纸 Drawing of connector.....	6
4.连接器 TUV 证书 TUV certification of connector.....	7-8
5.连接器 UL 证书 UL certification of connector .....	9

## 1.产品外观及设计性能参数要求: Product appearance and design

### Performance parameters



**Female(left) & Male(right) Connector**

TUV 证书编号 TUV certificate number: R 50505605

UL 证书编号 UL certificate number: E340004

额定电压 Rated Voltage: IEC1500V/UL1500V

额定电流 Rated current: 36A , 41A, 46A (2.5 mm<sup>2</sup>/14AWG、4mm<sup>2</sup>/12AWG、6mm<sup>2</sup>/10AWG、10 mm<sup>2</sup>/8AWG)

接触电阻 Contact resistance:  $\leq 0.5m \Omega$

环境温度 Temperature range: -40°C ~+85°C

IP 等级 Protection Degree: IP68

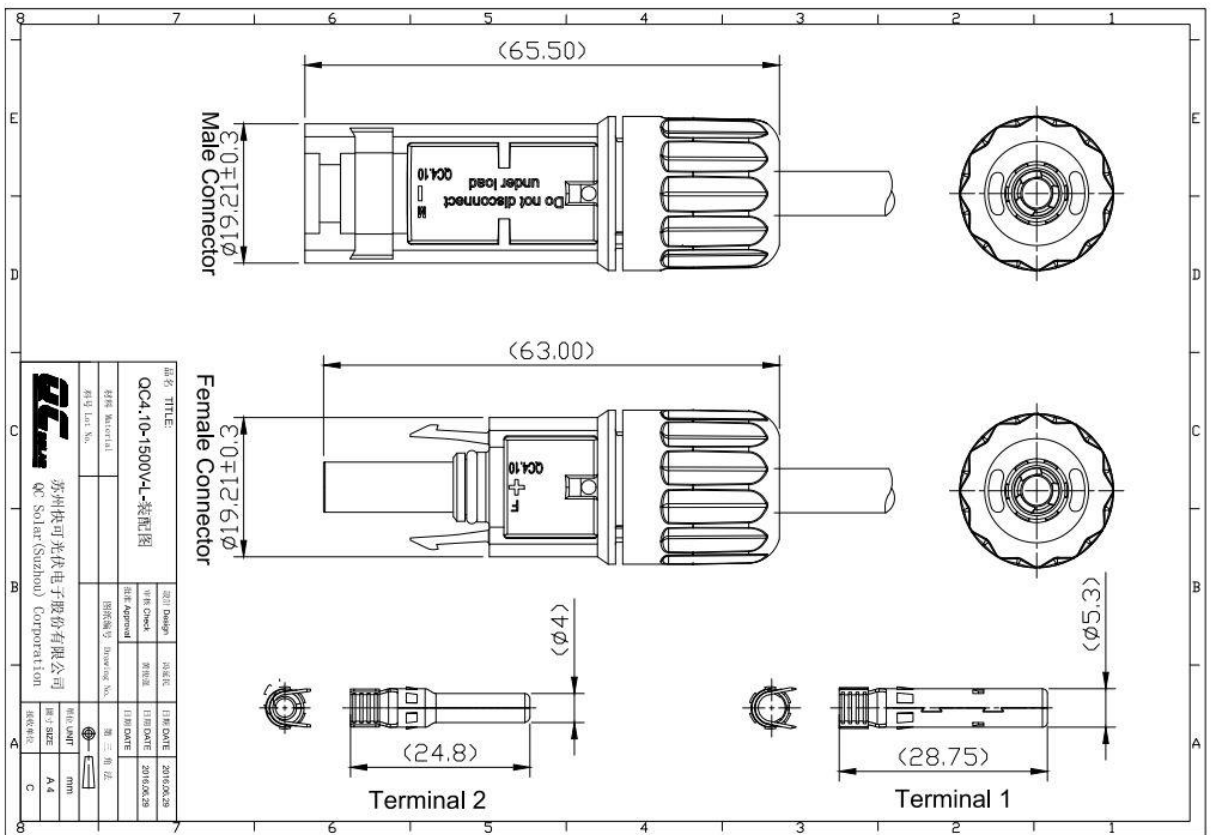
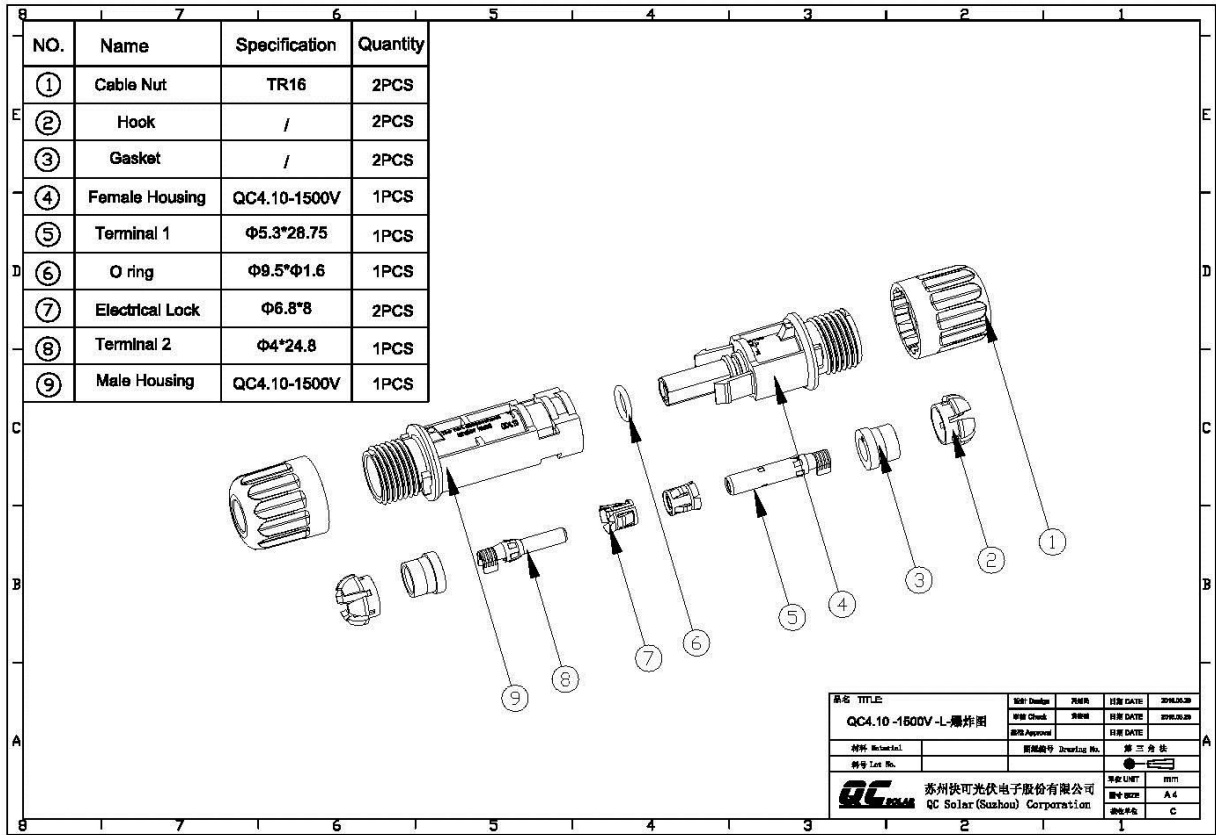
**2.1 正极连接器 BOM 清单 Connector BOM to Female Connector List:**

 苏州快可光伏电子股份有限公司					
产品名称 Product name	连接器 connector	材料清单 Bill Of Materials--Female Connector		版本 Version	A1.0
产品型号 Product	QC4.10 1500V			张数 Paper	1
客户 customer				发行日期 Issue date	2020.07.20
序号 number	名称 Name	材质 Material	型号 Specification	数量 Quantity	备注 Note
1	QC4.10 正极连接器 female housing	PPE	63* $\phi$ 19.21mm	1 pcs	
2	QC4.10 塑料后罩 cable nut	PA66	21.65* $\phi$ 21.22mm	1 pcs	
3	QC4 金属插针 Metal plug	铜镀锡 tinned T2 copper	/	1 pcs	
4	公母内腔卡圈 Electrical lock	钢 stainless steel	$\phi$ 6.8*8mm	1 pcs	
5	O 型密封圈 O ring	硅胶 silica gel	$\phi$ 9.5*1.6	1 pcs	
6	T 型堵头 T-shape Gasket $\phi$ 6.9	硅胶 silica gel	$\phi$ 6.9* $\phi$ 9.6* $\phi$ 11.16*H8.7	1 pcs	
7	内爪 hook	PA66	$\phi$ 11.1* $\phi$ 9.6*8.7mm	1 pcs	

**2.2 负极连接器 BOM 清单 Connector BOM to Male Connector List:**

 苏州快可光伏电子股份有限公司					
产品名称 Product name	连接器 connector	材料清单 Bill Of Materials--Male Connector		版本 Version	A1.0
产品型号 Product	QC4.10 1500V			张数 Paper	1
客户 customer				发行日期 Issue date	2020.07.20
序号 number	名称 Name	材质 Material	型号 Specification	数量 Quantity	备注 Note
1	QC4.10 负极连接器 male housing	PPE	65.5* $\phi$ 19.21mm	1 pcs	
2	QC4.10 塑料后罩 cable nut	PA66	21.65* $\phi$ 21.22mm	1 pcs	
3	QC4 金属插套 Metal socket	铜镀锡 tinned T2 copper	/	1 pcs	
4	公母内腔卡圈 Electrical lock	钢 stainless steel	$\phi$ 6.8*8mm	1 pcs	
5	O 型密封圈 O ring	硅胶 silica gel	$\phi$ 9.5*1.6	1 pcs	
6	T 型堵头 T-shape Gasket $\phi$ 6.9	硅胶 silica gel	$\phi$ 6.9* $\phi$ 9.6* $\phi$ 11.16*H8.7	1 pcs	
7	内爪 hook	PA66	$\phi$ 11.1* $\phi$ 9.6*8.7mm	1 pcs	

### 3.连接器图纸: Drawing of connector



### 4.连接器 TUV 证书: TUV certification of connector

<b>Zertifikat</b>		<b>Certificate</b>			
<b>Zertifikat Nr. Certificate No.</b>	R 50505605	<b>Blatt Sheet</b>	0001		
<b>Ihr Zeichen Client Reference</b>	F.G.Y.	<b>Unser Zeichen Our Reference</b>	01-ZQI-CN21LJLT 001	<b>Ausstellungsdatum Date of Issue</b>	02.06.2021 (day/mo/yr)
<b>Genehmigungsinhaber License Holder</b>			<b>Fertigungsstätte Manufacturing Plant</b>		
QC Solar (Suzhou) Corporation No. 31, Xinfu Road, SIP Suzhou 215123 Jiangsu P.R. China			Refer to latest revision of the annex list of factories		
<b>Prüfzeichen Test Mark</b>			<b>Geprüft nach Tested acc. to</b>		
	Bauart geprüft Sicherheit Regelmäßige Produktions- überwachung  www.tuv.com ID 1111240433		IEC 62852:2014+A1 EN 62852:2015+A1		
<b>Zertifiziertes Produkt (Geräteidentifikation)</b>				<b>Lizenzentgelte - Einheit</b>	
<b>Certified Product (Product Identification)</b>				<b>License Fee - Unit</b>	
<b>PV Komponente (elektrisch) für BOS (PV Components for BOS - electrical)</b>					
Type Designation	: QC4.10-cds(c=3 or 4; d=4, 5, 6) ; (7 or 8; s=blank or 1) (QC)			25	
	: 1500VDC				
	: 36A for QC4.10-34; QC4.10-44; 41A for QC4.10-35; QC4.10-45; 46A for QC4.10-36; QC4.10-46; 46A for QC4.10-37; QC4.10-47; 55A for QC4.10-38; QC4.10-48; 36A for QC4.10-341; QC4.10-441; 41A for QC4.10-351; QC4.10-451; 46A for QC4.10-361; QC4.10-461				
	: -40°C to +85°C				
	e: 100°C				
25					
1.0					
Zertifizierungsordnung zugrunde und es bestätigt die Konformität standards und Prüfergrundlagen. Zusätzliche Anforderungen ehr gebracht werden soll, müssen zusätzlich rtifizierten Produktes wird überwacht. id Certification Regulation and states the conformity ing requirements as indicated above. Any additional uct is going to be marketed have to be considered rtified product is subject to surveillance.					
<b>GmbH, Tillystraße 2, 90431 Nürnberg</b> dity@de.tuv.com :om/safety					
 Paulus Hou					

10020 d... TÜV, TÜV and TÜV are registered trademarks. Use without approval requires prior approval.

**Zertifikat**

**Certificate**



Zertifikat Nr. *Certificate No.*  
R 50505605

Blatt *Sheet*  
0002

Ihr Zeichen <i>Client Reference</i>	Unser Zeichen <i>Our Reference</i>	Ausstellungsdatum <i>Date of Issue</i>
F.G.Y.	01-ZQI-CN21LJLT 001	02.06.2021 <i>(day/mo/yr)</i>

**Genehmigungsinhaber *License Holder***  
QC Solar (Suzhou) Corporation  
No. 31, Xinfu Road, SIP  
Suzhou  
215123 Jiangsu  
P.R. China

**Fertigungsstätte *Manufacturing Plant***  
Refer to latest revision  
of the annex list of factories

**Prüfzeichen *Test Mark***



Bauart geprüft  
Sicherheit  
Regelmäßige  
Produktions-  
überwachung

www.tuv.com  
ID 1111240433

**Geprüft nach *Tested acc. to***

IEC 62852:2014+A1  
EN 62852:2015+A1

**Zertifiziertes Produkt (Geräteidentifikation)  
*Certified Product (Product Identification)***

**Lizenzentgelte - Einheit  
*License Fee - Unit***

PV Komponente (elektrisch) für BOS (PV Components for BOS - electrical)

(Continuation)

Cross Section Range : 1 x 2,5mm<sup>2</sup> for QC4.10-34; QC4.10-44;  
QC4.10-341; QC4.10-441;  
1 x 4,0mm<sup>2</sup> for QC4.10-35; QC4.10-45;  
QC4.10-351; QC4.10-451;  
1 x 6,0mm<sup>2</sup> for QC4.10-36; QC4.10-46;  
QC4.10-361; QC4.10-461;  
1 x 6,0mm<sup>2</sup> for QC4.10-37; QC4.10-47;  
1 x 10,0mm<sup>2</sup> for QC4.10-38; QC4.10-48

Protection Degree : IP65/IP68 (1m,1h)  
Application Class : Class A

Remark: The labelling requirements acc. to EU Directive 2001/95 have to be observed for distribution within the EEA.

Dem Zertifikat liegt unsere Prüf- und Zertifizierungsordnung zugrunde und es bestätigt die Konformität des Produktes mit den oben genannten Standards und Prüfgrundlagen. Zusätzliche Anforderungen in Ländern, in denen das Produkt in Verkehr gebracht werden soll, müssen zusätzlich betrachtet werden. Die Herstellung des zertifizierten Produktes wird überwacht.  
This certificate is based on our Testing and Certification Regulation and states the conformity of the product with the standards and testing requirements as indicated above. Any additional requirements in countries where the product is going to be marketed have to be considered additionally. The manufacturing of the certified product is subject to surveillance.

TÜV Rheinland LGA Products GmbH, Tillystraße 2, 90431 Nürnberg

Tel.: +49 221 806-1371 e-mail: cert-validity@de.tuv.com  
Fax: +49 221 806-3935 http://www.tuv.com/safety





## 5.连接器 UL 证书: UL certification of connector

2021/9/10

QIQQ8.E340004 - Connectors for Use in Photovoltaic Systems Certified for Canada - Component | UL Product iQ

UL Product iQ™



### QIQQ8.E340004 - Connectors for Use in Photovoltaic Systems Certified for Canada - Component

Connectors for Use in Photovoltaic Systems Certified for Canada - Component

**QC SOLAR (SUZHOU) CORP**  
31 XINFA RD  
SIP  
SUZHOU, JIANGSU 215123 China

E340004

Cat. No.	Electrical Rating
<b>Photovoltaic wiring-system connector</b>	
QC4 series	600 V dc, with 10-14 AWG PV cable, 30A dc maximum
Series QC4.10, followed by -a3, followed by c1, followed by d1, d2 or d3, may be followed by e1 or e2. QC4.6-6.0	600 V dc, with 10 AWG PV cable, 30 A dc
Series QC4.10, followed by -a3, followed by c2 or c3, followed by d1, d2 or d3, may be followed by e1 or e2. QC4.6-4.0	600 V dc, with 12 AWG PV cable, 20 A dc
Series QC4.10, followed by -a3, followed by c4, followed by d1, d2 or d3, may be followed by e1 or e2. QC4.6-2.5	600 V dc, with 14 AWG PV cable, 15 A dc
Series QC4.10, followed by -a4, may be followed by b1, followed by c6, followed by d1, d2 or d3, may be followed by e1 or e2.	1000 V dc, with 10 AWG PV cable, 30 A dc
Series QC4.10, followed by -a4, may be followed by b1, followed by c7, c8 or c10, followed by d1, d2 or d3, may be followed by e1 or e2.	1000 V dc, with 12 AWG PV cable, 20 A dc
Series QC4.10, followed by -a4, may be followed by b1, followed by c9, followed by d1, d2 or d3, may be followed by e1 or e2.	1000 V dc, with 14 AWG PV cable, 15 A dc
Models QC4.10-a5BCDEF series, where B can be b1 or none, C can be c15, D can be d1, d3 or d4, E can be e2, e3 or e4, and F can be none or f1.	1500 V dc, with 14 AWG PV cable, 30A dc

<https://iq.ulprospector.com/en/profile?e=122479>

1/2

2021/9/10

QIQQ8.E340004 - Connectors for Use in Photovoltaic Systems Certified for Canada - Component | UL Product iQ

Models QC4.10-a5BCDEF series, where B can be b1 or none, C can be c12, D can be d1, d3 or d4, E can be e2, e3 or e4, and F can be none or f1.	1500 V dc, with 12 AWG PV cable, 35 A dc
Models QC4.10-a5BCDEF series, where B can be b1 or none, C can be c13, D can be d1, d3 or d4, E can be e2, e3 or e4, and F can be none or f1.	1500 V dc, with 12 AWG PV cable, 35 A dc
Models QC4.10-a5BCDEF series, where B can be b1 or none, C can be c14, D can be d1, d3 or d4, E can be e2, e3 or e4, and F can be none or f1.	1500 V dc, with 10 AWG PV cable, 50 A dc

Marking: Company name, catalog designation and the Recognized Component Mark for Canada on the device or carton.

Last Updated on 2021-09-07

The appearance of a company's name or product in this database does not in itself assure that products so identified have been manufactured under UL's Follow-Up Service. Only those products bearing the UL Mark should be considered to be Certified and covered under UL's Follow-Up Service. Always look for the Mark on the product.

UL permits the reproduction of the material contained in the Online Certification Directory subject to the following conditions: 1. The Guide Information, Assemblies, Constructions, Designs, Systems, and/or Certifications (files) must be presented in their entirety and in a non-misleading manner, without any manipulation of the data (or drawings). 2. The statement "Reprinted from the Online Certifications Directory with permission from UL" must appear adjacent to the extracted material. In addition, the reprinted material must include a copyright notice in the following format: "© 2021 UL LLC"

<https://iq.ulprospector.com/en/profile?e=122479>

2/2